

**DS-2CE17D0T-LFS****2 MP Dual Light Audio Fixed Bullet Camera**

- High quality imaging with 2 MP, 1920 × 1080 resolution
- 2.8 mm, 3.6 mm and 6 mm fixed focal lens
- Up to 40 m IR distance for bright night imaging
- Up to 40 m white light distance for bright night imaging
- One port for four switchable signals (TVI/AHD/CVI/CVBS)
- High quality audio with audio over coaxial cable, built-in mic
- Water and dust resistant (IP67)
- Smart-Hybrid light, optimize your security with flexible lighting options

## ▪ Specification

Camera	
Image Sensor	2 MP CMOS
Max. Resolution	1920 (H) × 1080 (V)
Min. Illumination	0.01 Lux @ (F1.6, AGC ON), 0 Lux with IR
Shutter Time	PAL: 1/25 s to 1/50, 000 s; NTSC: 1/30 s to 1/50, 000 s
Day & Night	ICR
Angle Adjustment	Pan: 0 to 360°, Tilt: 0 to 180°, Rotation: 0 to 360°
Signal System	PAL/NTSC
Lens	
Lens Type	2.8 mm, 3.6 mm and 6 mm fixed focal lens
Focal Length & FOV	2.8 mm, horizontal FOV: 101°, vertical FOV: 56°, diagonal FOV: 118° 3.6 mm, horizontal FOV: 78°, vertical FOV: 42°, diagonal FOV: 92° 6 mm, horizontal FOV: 49.2°, vertical FOV: 28.3°, diagonal FOV: 56.1°
Lens Mount	M12
Microphone	
Pickup Distance	In a radius of 5 m
Amount	1
Illuminator	
Supplement Light Range	IR : Up to 40 m White Light : Up to 40 m
Supplement Light Type	Smart,IR,White Light
Image	
Image Settings	Brightness, Sharpness, Smart IR
Frame Rate	TVI: 1080P @ 30 fps, 1080P @ 25 fps AHD: 1080P @ 30 fps, 1080P @ 25 fps CVI: 1080P @ 30 fps, 1080P @ 25 fps CVBS: PAL/NTSC
Day/Night Mode	Auto/Color
Wide Dynamic Range (WDR)	Digital WDR
Image Enhancement	DWDR/BLC/HLC/Global
White Balance	Auto/Manual
AGC	Yes
Interface	
Video Output	Switchable TVI/AHD/CVI/CVBS
General	
Material	Front cover: Metal Main body: Plastic
Dimension	216.6 mm × 78.9 mm × 75.4 mm (8.53" × 3.10" × 2.97")
Weight	Approx. 339 g (0.75 lb.)
Operating Condition	-40 °C to 60 °C (-40 °F to 140 °F), humidity: 90% or less (non-condensation)
Communication	HIKVISION-C
Language	English

Power Supply	12 VDC $\pm$ 25% *You are recommended to use one power adapter to supply the power for one camera.
Consumption	Max. 4.8 W
<b>Approval</b>	
Protection	IP67

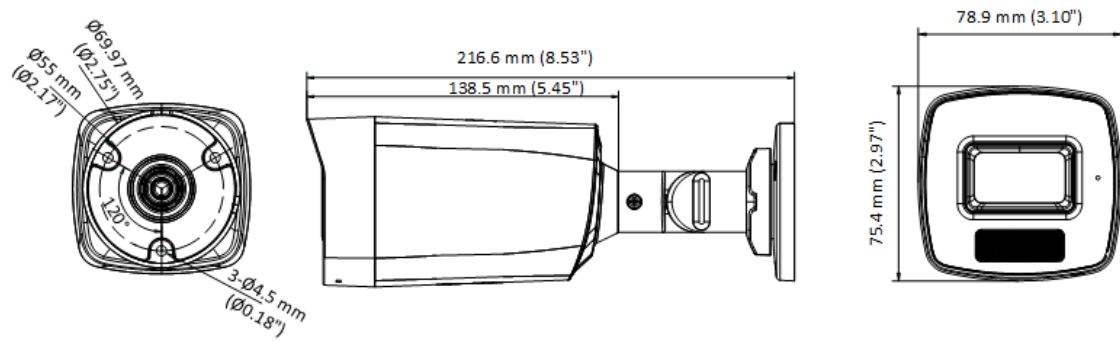
▪ **Available Model**

DS-2CE17D0T-LFS(2.8mm)

DS-2CE17D0T-LFS(3.6mm)

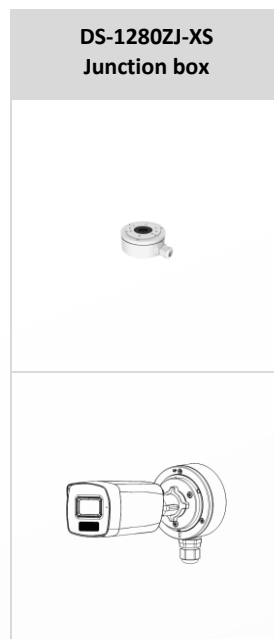
DS-2CE17D0T-LFS(6mm)

▪ **Dimension**



▪ **Accessory**

▪ **Optional**



# See Far, Go Further



[www.hikvision.com](http://www.hikvision.com)  
[support@hikvision.com](mailto:support@hikvision.com)

